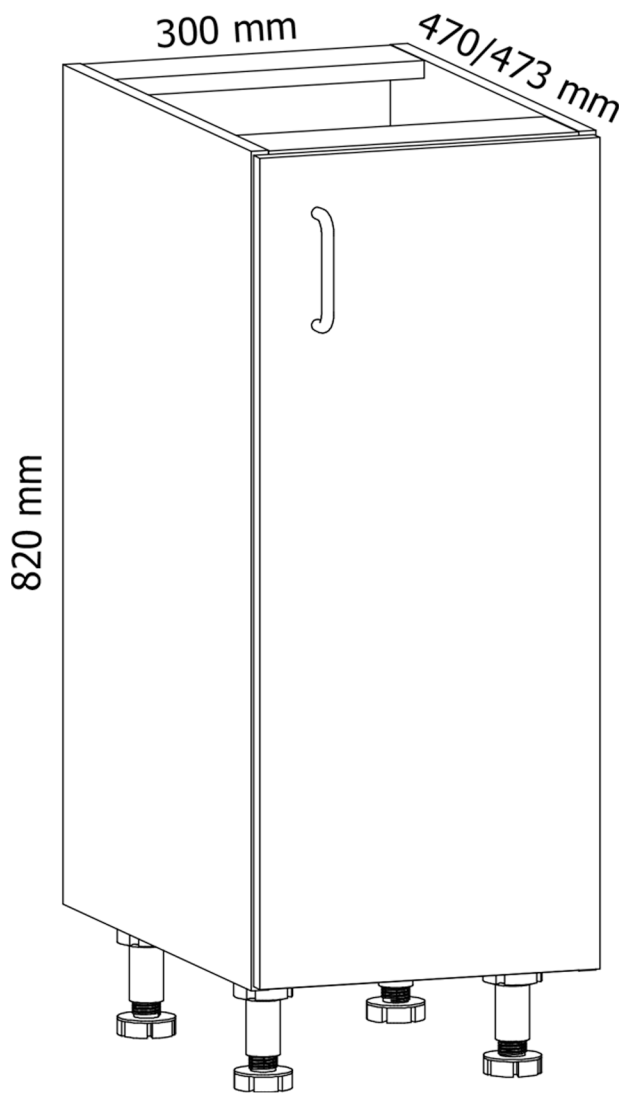
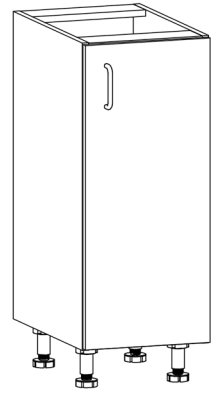


D30

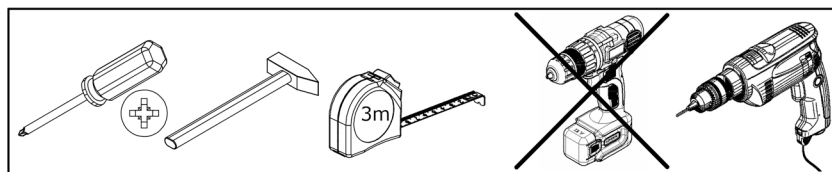
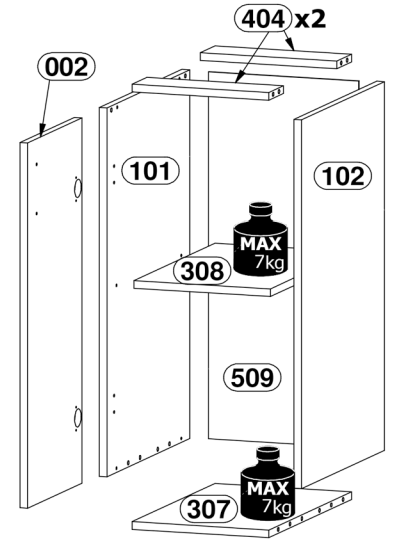
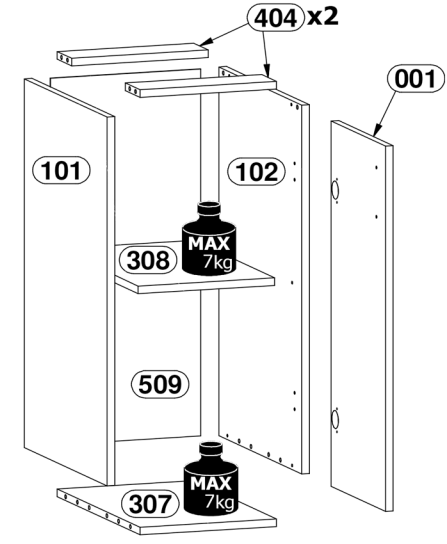
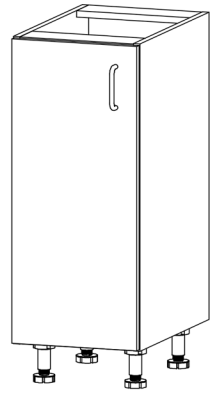
S30

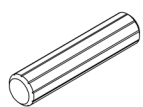
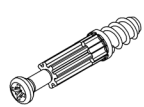


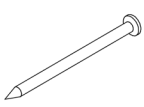
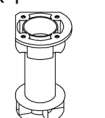
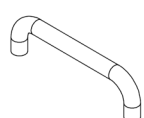
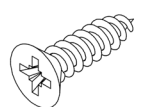
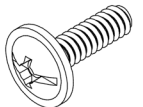
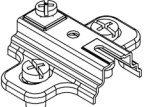
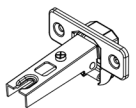


D30(P) / S30



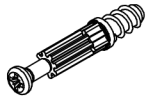
D30(L)



A1 x12  Ø8x35mm	B1 x8  Ø5x38mm	C1 x8  Ø15x12mm	E4 x4  9x11mm	G1 x20  26mm
L1 x4  Ø50x95mm	U x1 	W2 x20  Ø3,5x16mm	X x2 	Zc1 x2 
Zc2 x2 				

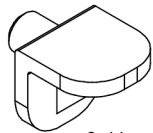
1

B1 x 8

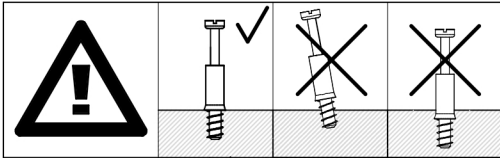
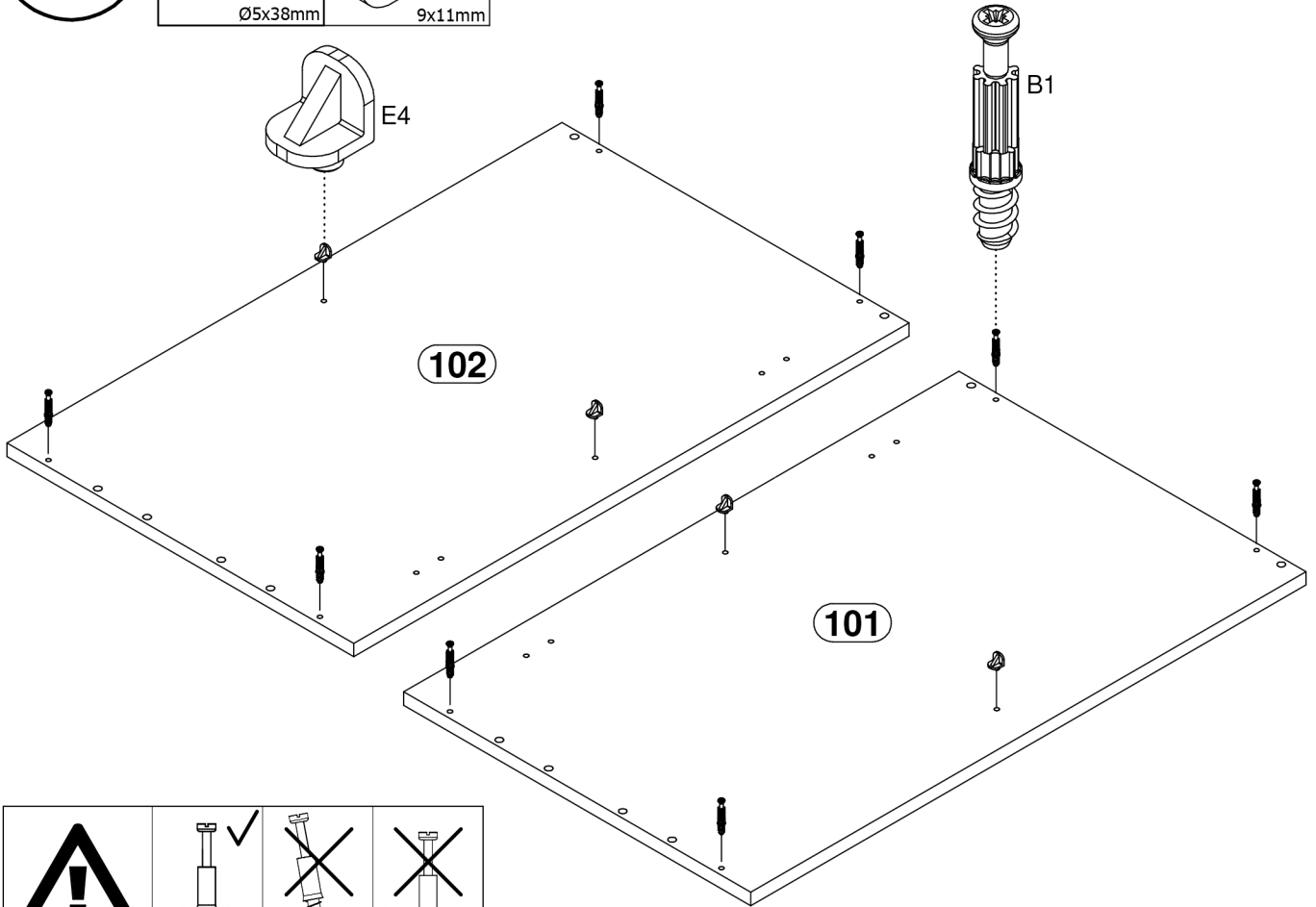
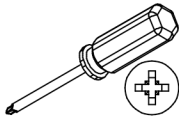


Ø5x38mm

E4 x 4

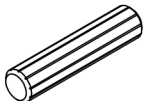


9x11mm



2

A1 x 12

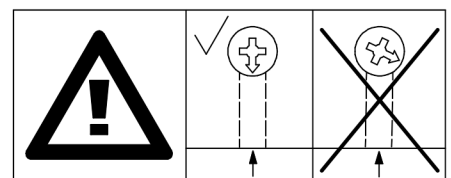
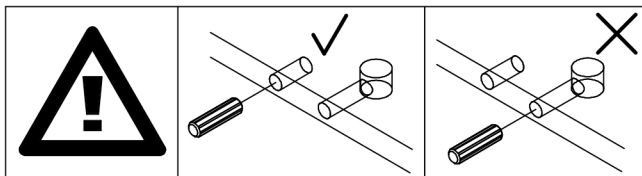
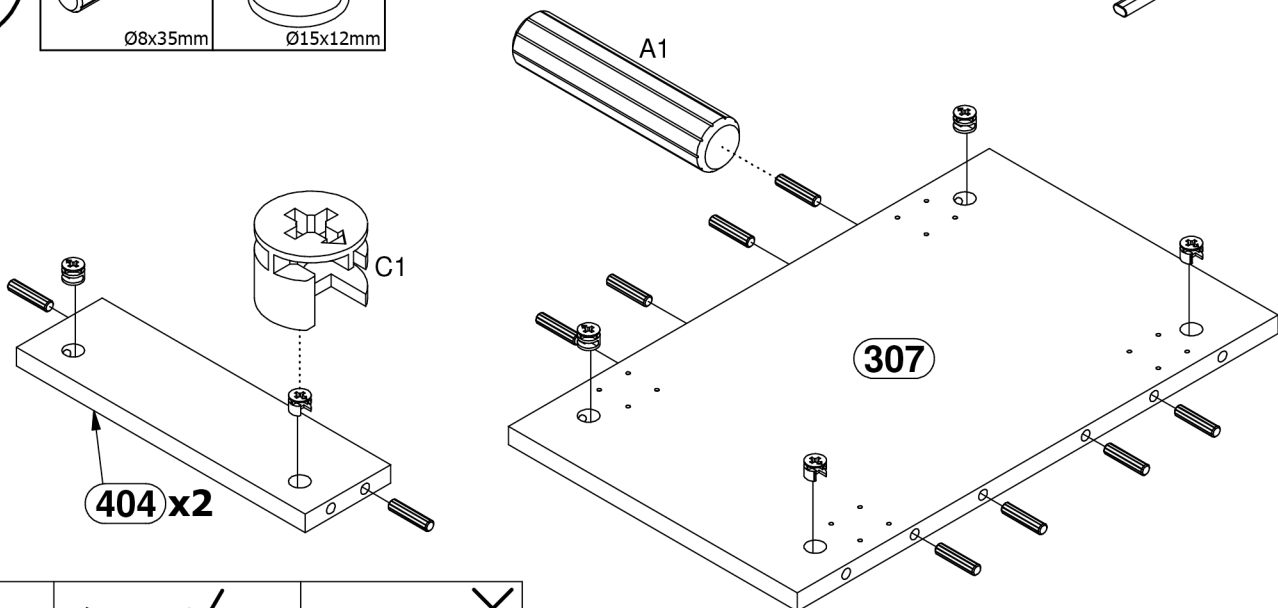
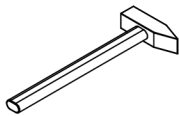


Ø8x35mm

C1 x 8



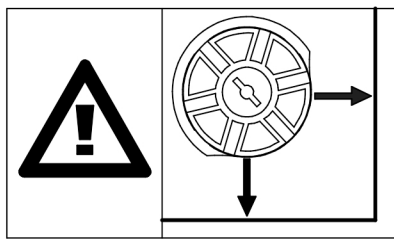
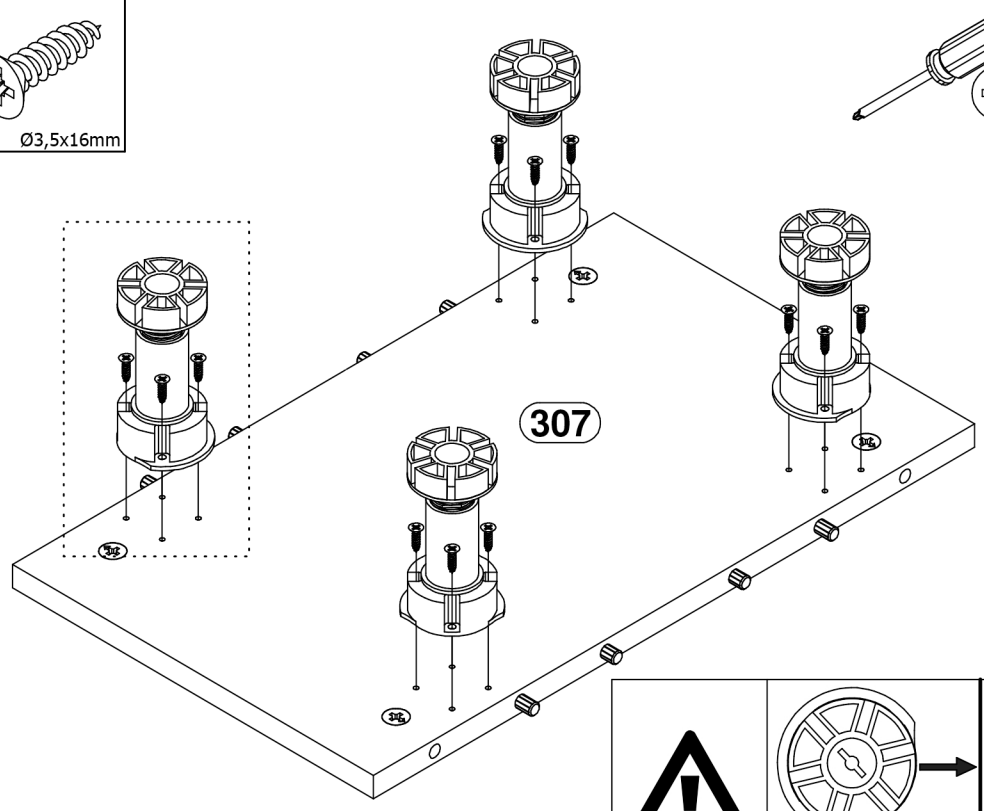
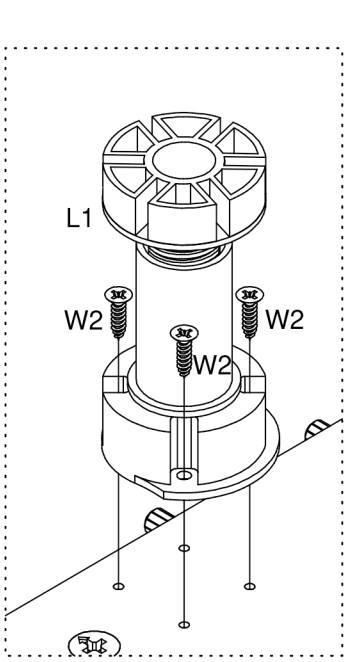
Ø15x12mm



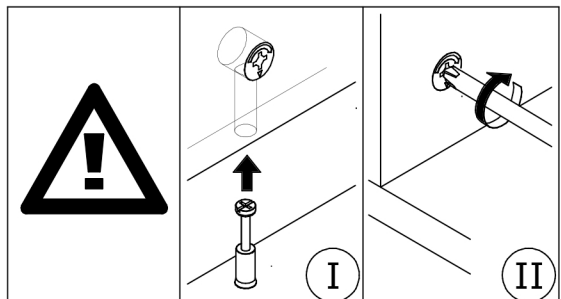
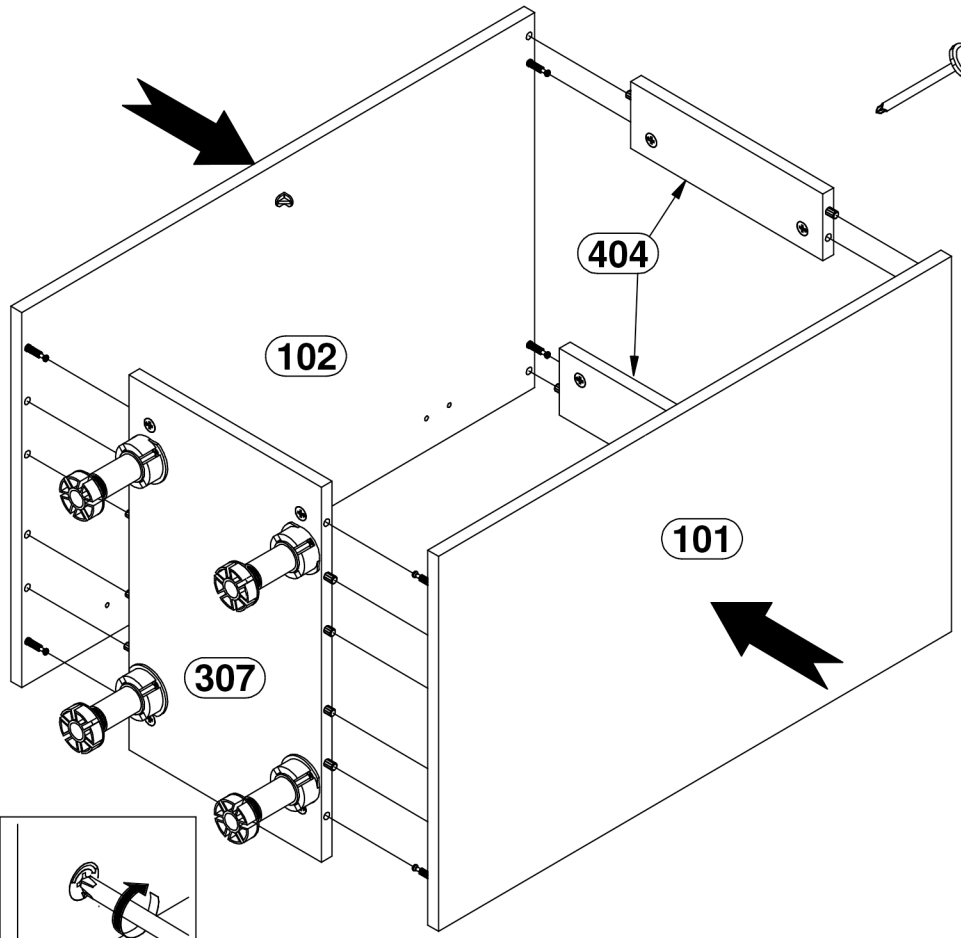
3

L1 x 4
Ø50x95mm

W2 x 16
Ø3,5x16mm

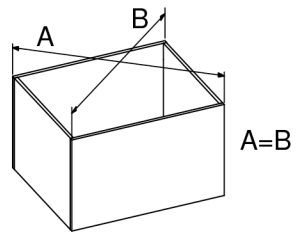
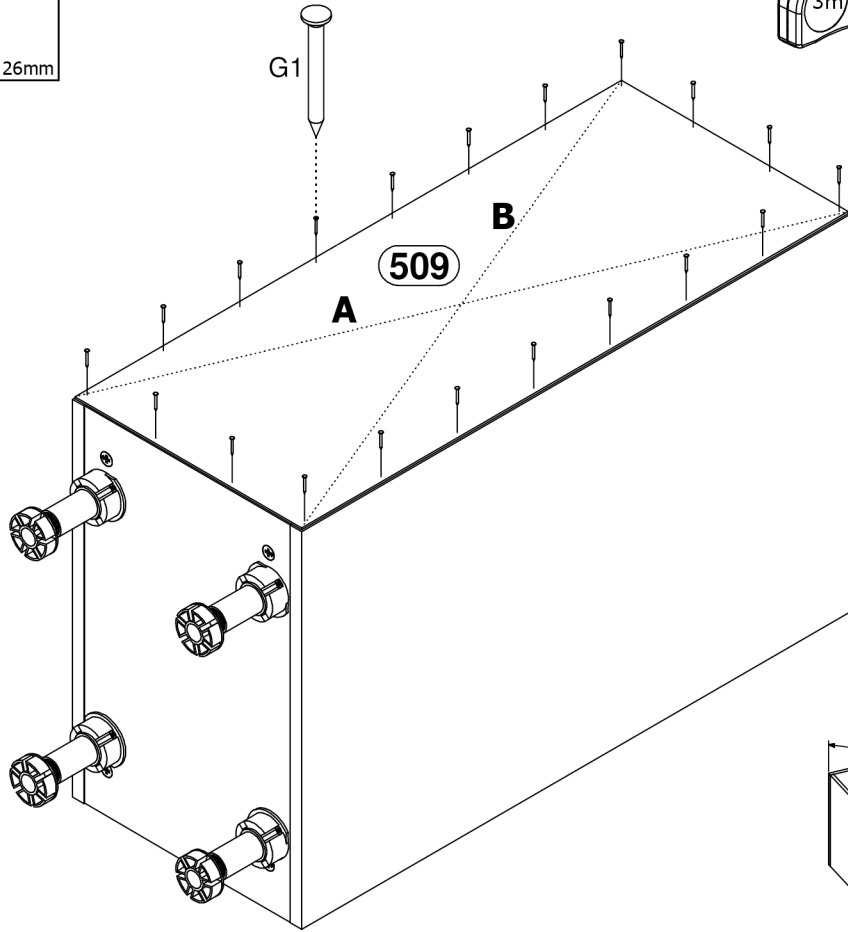
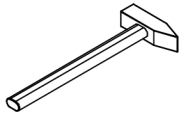
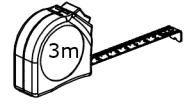
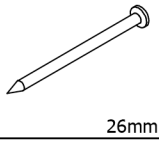


4



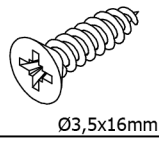
5

G1 x 20

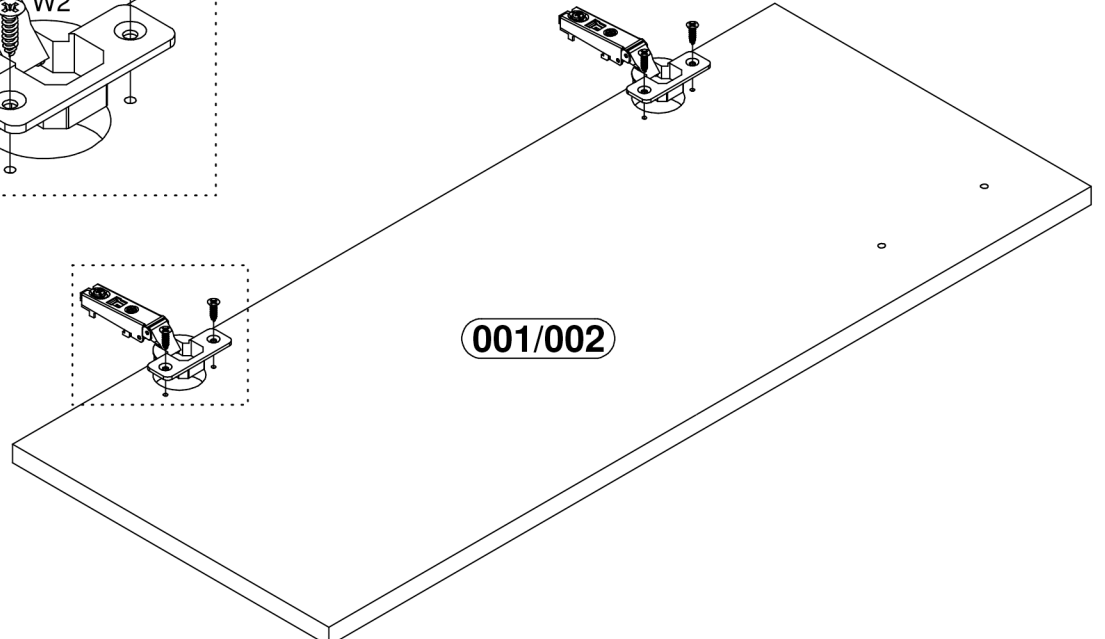
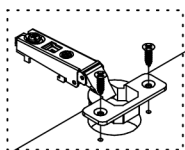
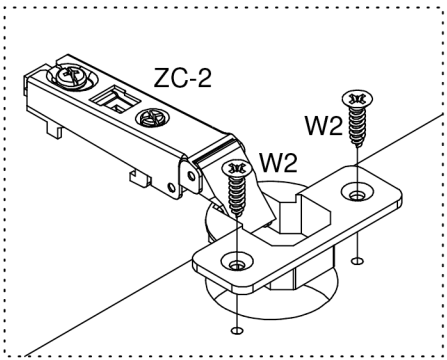
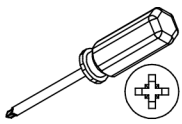
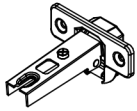


6

W2 x 4

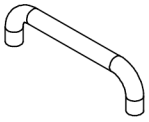


Zc2 x 2

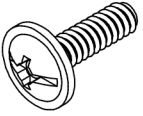


7

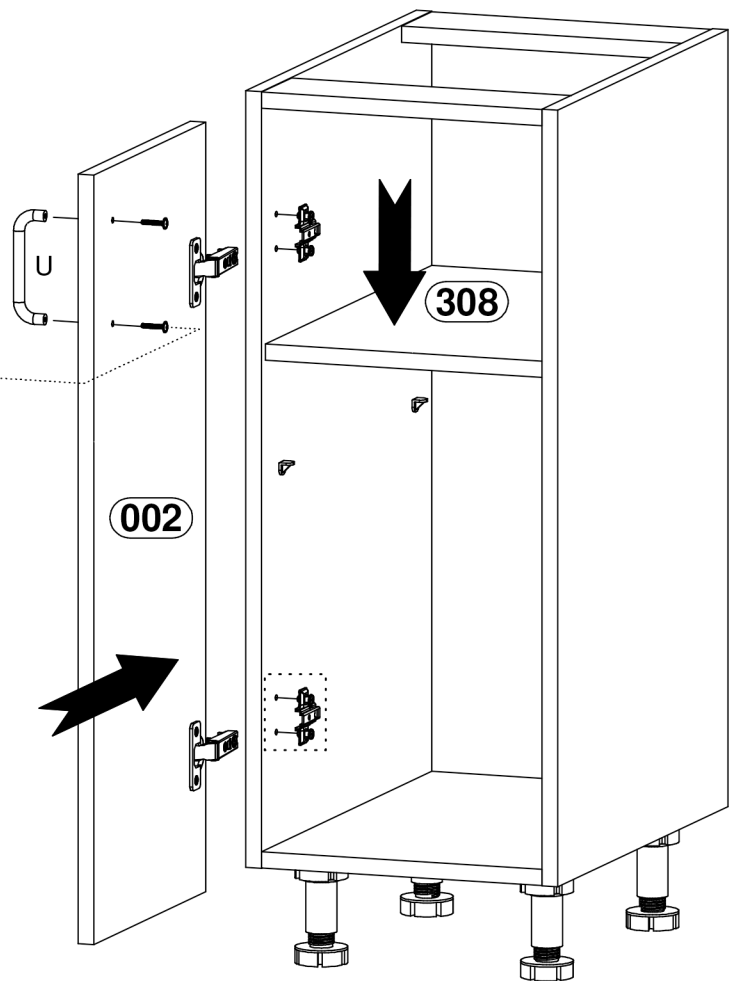
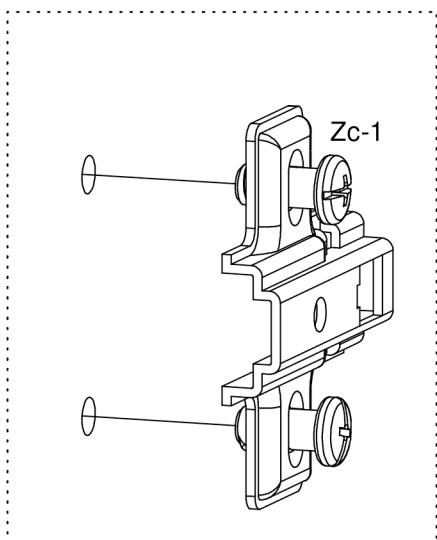
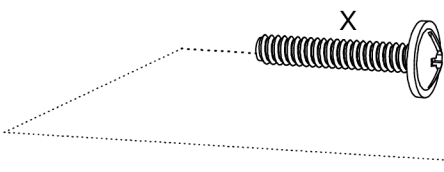
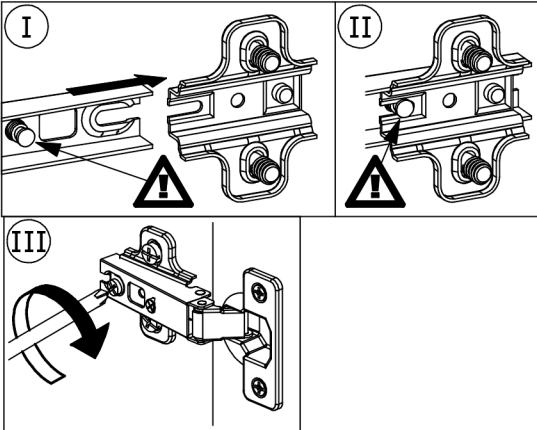
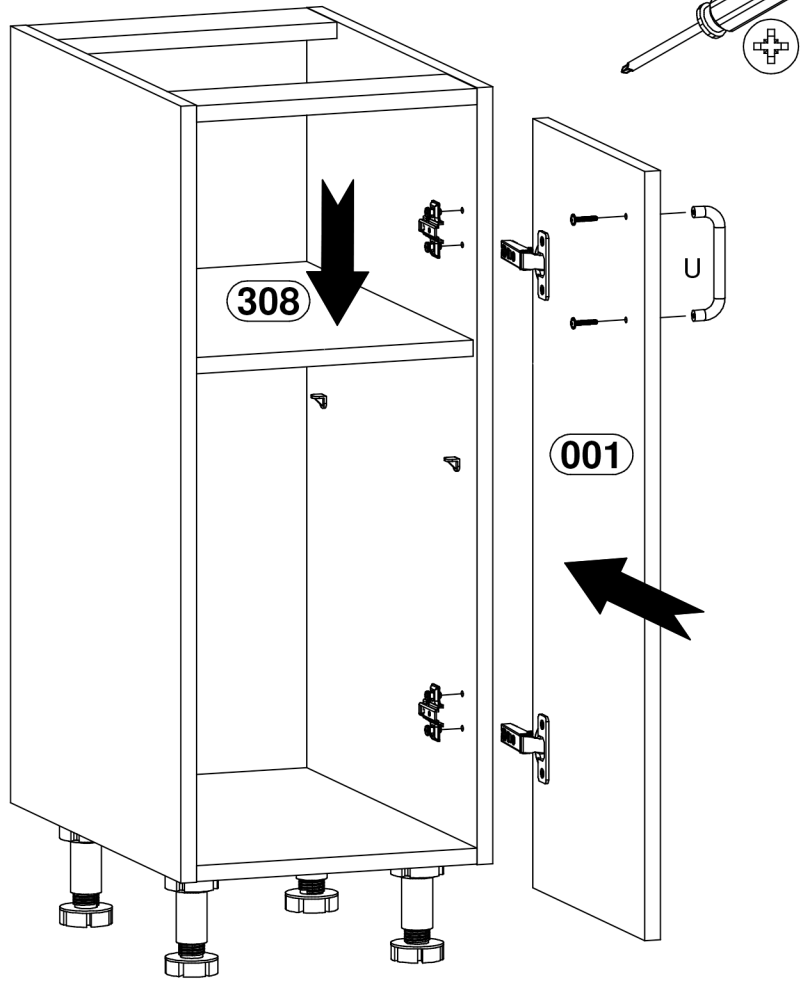
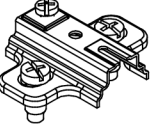
U x 1



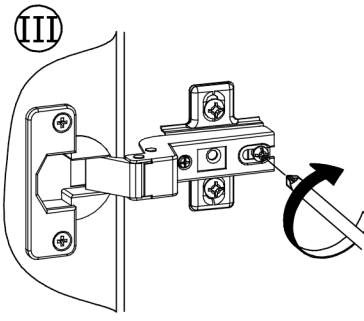
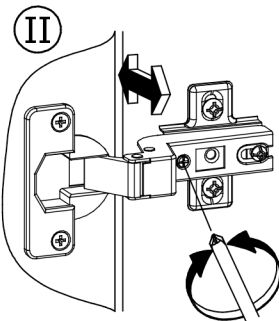
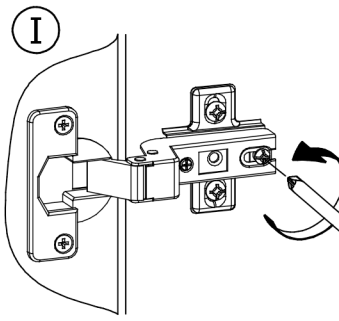
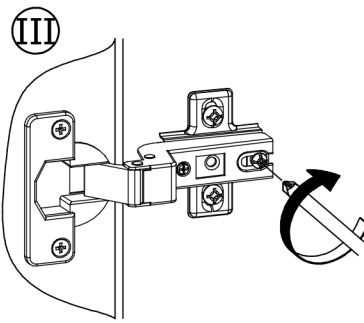
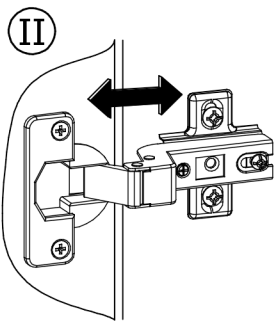
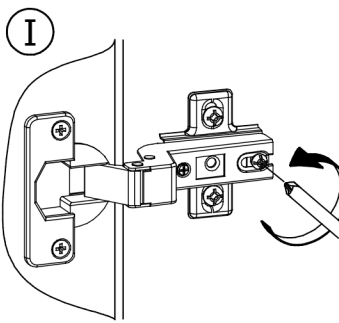
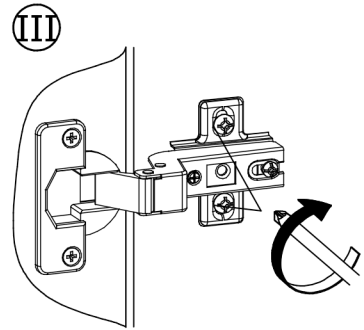
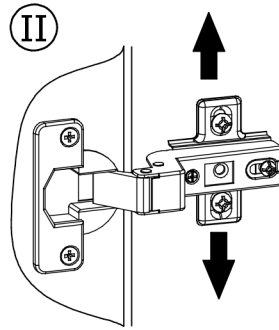
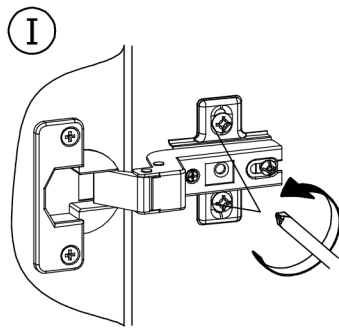
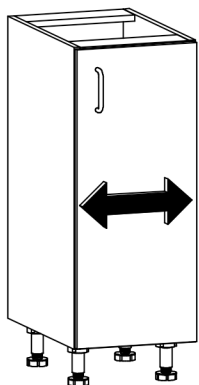
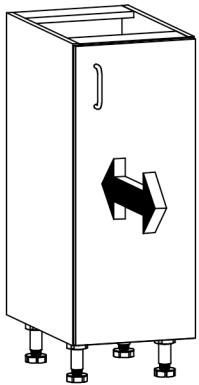
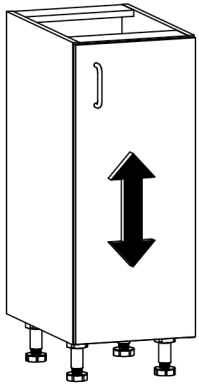
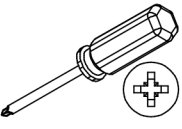
X x 2

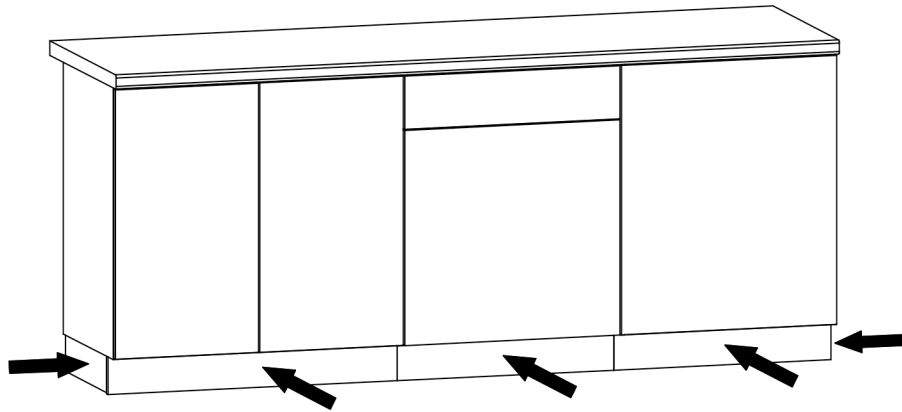
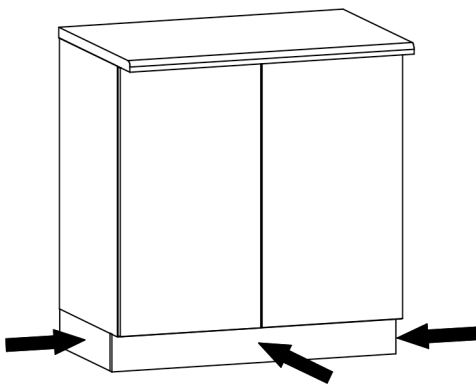
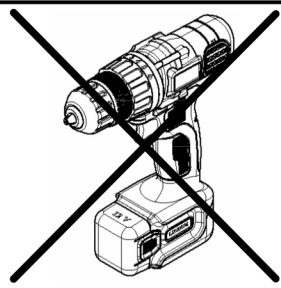
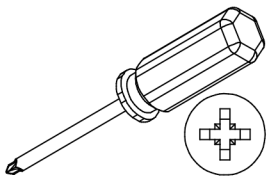


Zc1 x 2

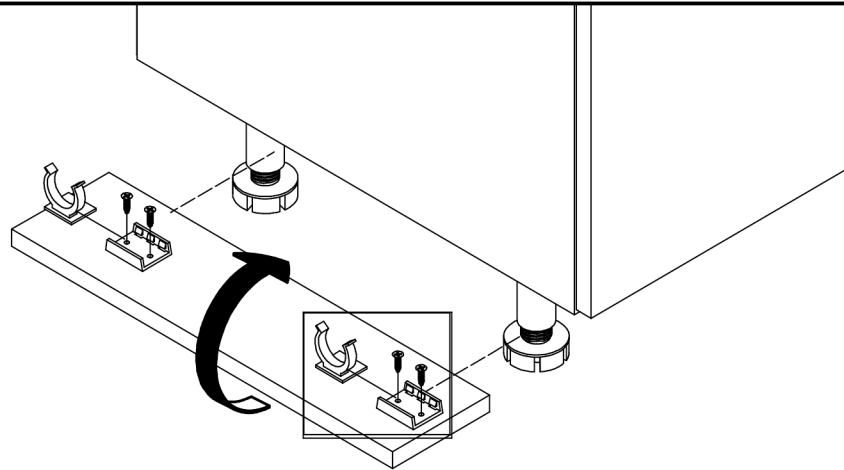
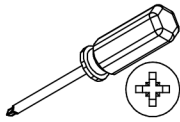


8

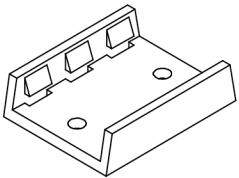




C1

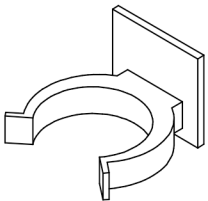


L6-a x4



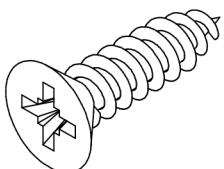
38x30x10mm

L6-b x4

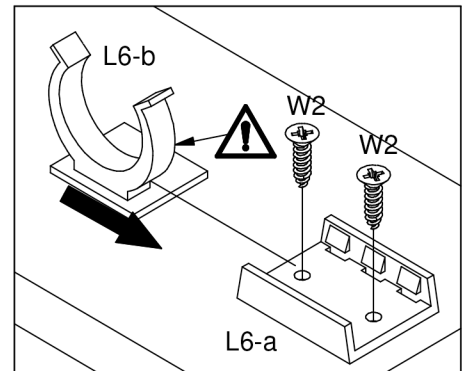


35x32x25mm

W2 x8

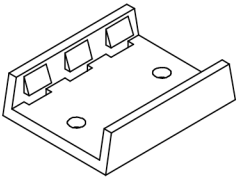


Ø3,5x16mm



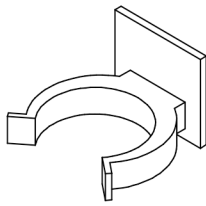
C2

L6-ax2



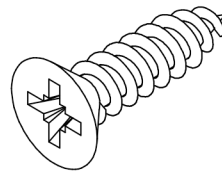
38x30x10mm

L6-bx2



35x32x25mm

W2x4



Ø3,5x16mm

